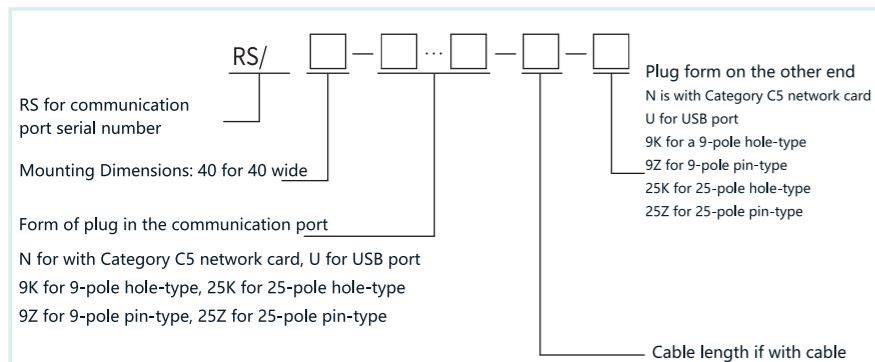


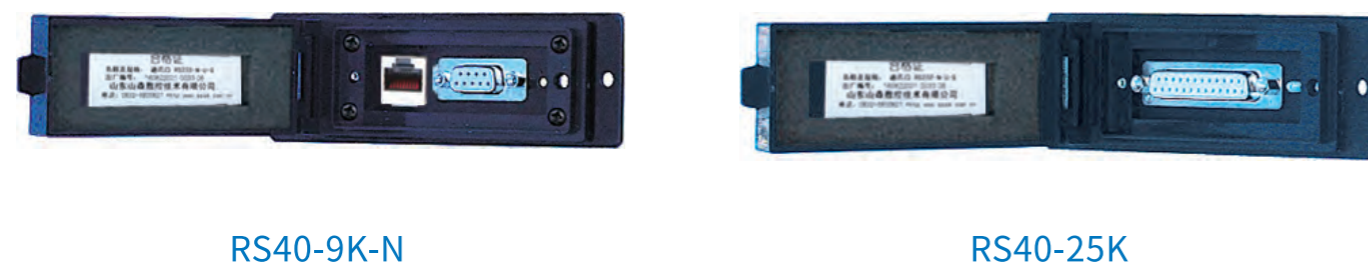
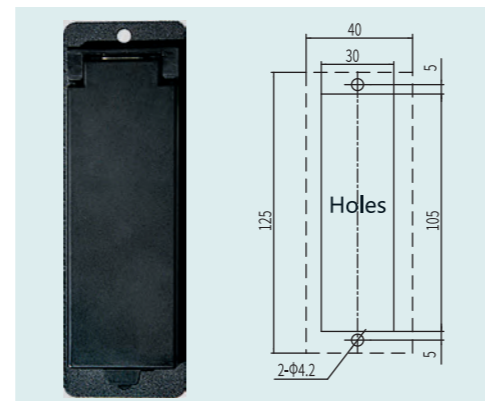
RS40 COMMUNICATION PORT

Communication interface module is mainly used for communication between CNC machine tools and computers, there are 9-core, 25-core, USB port, network card socket and other combinations, according to user requirements can be with the transmission line and with the CNC system end of the connection plug.

MODEL DESCRIPTION



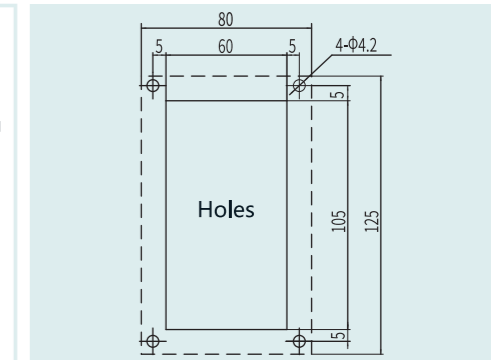
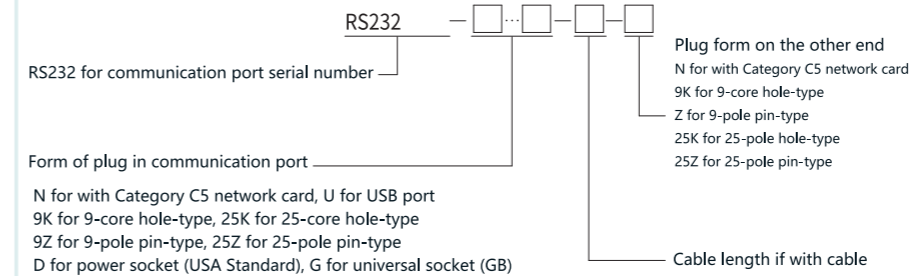
RS40 MOUNTING DIMENSIONS



RS232 COMMUNICATION PORT

DIMENSION INSTALLATION

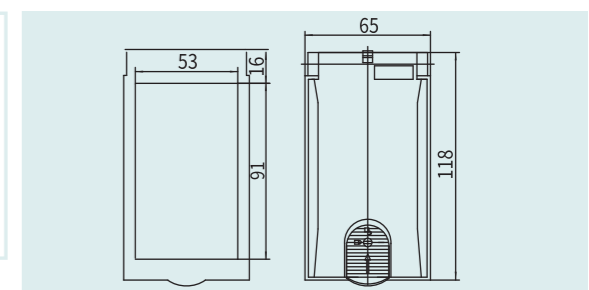
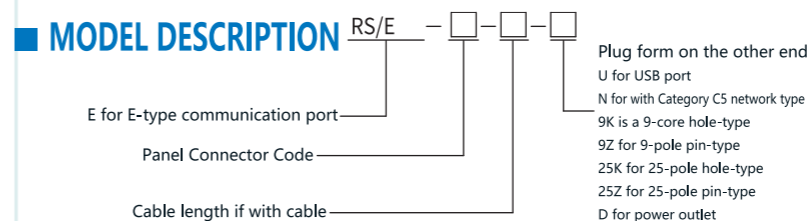
MODEL DESCRIPTION



E-TYPE COMMUNICATION PORT

Communication port module is mainly used for communication between CNC machine tools and computers, with 9-core, 25-core, USB port, NIC socket and other combinations, according to user requirements can be with the transmission line and the plug connected to the end of the CNC system. Won the national utility model patent, patent number ZL2008200246001.

MODEL DESCRIPTION



E-TYPE COMMUNICATION PORT CODE DESCRIPTION

Code	1	2	3	4	5	6	7	8
Panel Connectors								
Note	China Standard Multi-function Socket Single-phase 220V5A	With USB Socket RJ45 Socket D-shape 9-pole Socket	With USB Socket RJ45 Socket D-shape 9-pole Socket	With BNC Socket RJ45 Socket D-shape 9-pole Socket	With D-type 25-pole Socket D-type 9-pole Socket	German Standard (VDE) Multi-function Socket Single Phase 230V6A	American Standard (NEMA5-15) Multi-function Socket Single-phase, 120V, 5A D-shape 9-pole Socket	Australia Single Phase 220V5A

